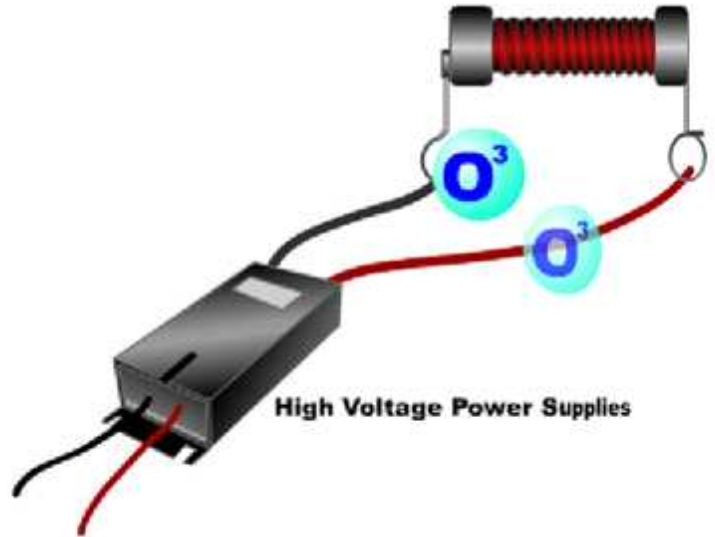
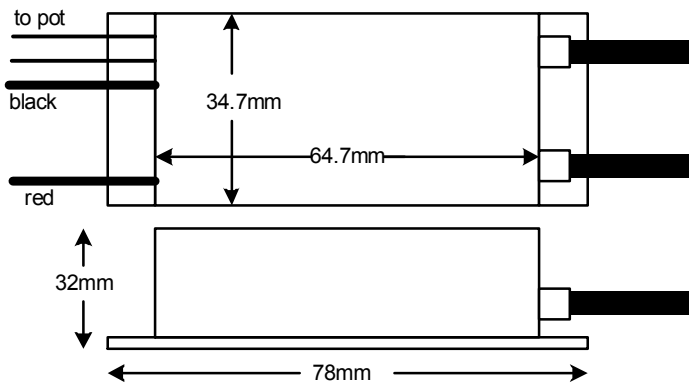
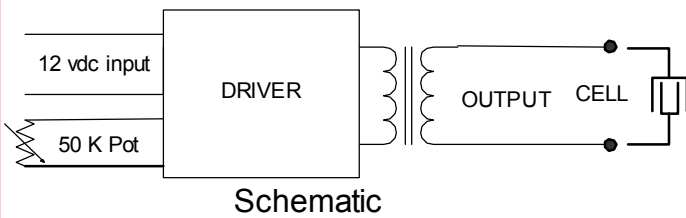


# SS01S Ozone Cell Driver

## Adjustable High Frequency Output

You may use a 10k fixed resistor in place of the 50k adjust pot. This values provides a maximum fixed output



Function	Value	Tolerance	Other
Input Voltage	12 vdc		
Input Current (No load)	200 ma		
Input Current (load)	750 ma		
Input Watt (No load)			
Input Watt (load)	5 watts		
Output Volts	1-7kvac		Adjustable
Output Configuration	Floating		Do not ground
Internal Operating Frequency	25-32 khz		

**NOTES:** Will interface with our (SS05) 30 mg open air ozone cell. This cell must be air cooled using a small muffin fan. Adjust output as desired via optional 50 k control pot. Do not operate open circuit. *Always check entire system for any excessive heating*

Information Unlimited PO 716 Amherst, N.H. 03031  
 Tel#1 603 673 6493 Fax#1 603 672 5406  
 Email <riannini@metro2000.net>  
 Web <www.amazing1.com>  
 Copywrited 3/01